

FEATURES

General

- Low power HDMI/DVI transmitter ideal for portable applications
- CEC controller and expanded message buffer (3 messages) reduces system overhead
- Incorporates HDMI technology
- 3D video
- Extended colorimetry
- Compatible with DVI 1.0
- Video/audio inputs accept logic levels from 1.8 V to 3.3 V

Digital video

- 150 MHz operation supports all video and graphics resolutions from 480i to 1080p
- Programmable 2-way color space converter
- Supports RGB, YCbCr, and DDR
- Supports ITU-656-based embedded syncs
- Automatic input video format timing detection (CEA-861-E)

Digital audio

- Supports standard S/PDIF for stereo LPCM or compressed audio up to 192 kHz
- 2-channel, uncompressed LPCM I²S audio up to 192 kHz

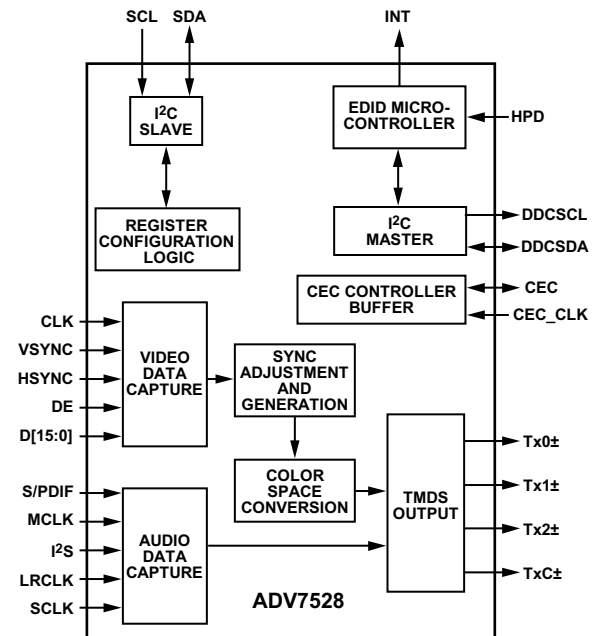
Special features for easy system design

- On-chip microcontroller with I²C master to perform EDID reading; reports HDMI events through interrupts and registers
- 5 V tolerant I²C and HPD I/Os, no extra device needed
- No audio master clock needed to support S/PDIF and I²S
- Compatible with the [AD9394](#) 5 V charge pump HDMI companion chip for hot plug detection in portable applications

APPLICATIONS

- Digital video cameras
- Digital still cameras
- Cellular handsets
- Personal media players
- Portable gaming

FUNCTIONAL BLOCK DIAGRAM



NOTES

1. HSYNC AND SCLK CAN BE RECONFIGURED AS MCLK.

Figure 1.

GENERAL DESCRIPTION

The ADV7528 is a 150 MHz, High-Definition Multimedia Interface (HDMI®) transmitter with expanded CEC buffer. It supports HDTV formats up to 1080p and computer graphic resolutions up to SXGA at 75 Hz.

The ADV7528 supports x.v.Color™ (gamut metadata) for a wider color gamut.

The ADV7528 supports both S/PDIF and 2-channel I²S audio. Its high fidelity, 2-channel I²S audio can transmit stereo up to a 192 kHz sampling rate. S/PDIF can carry stereo LPCM audio or compressed audio, including Dolby® digital and DTS®.

The ADV7528 helps to reduce system design complexity and cost by incorporating features such as an I²C master for EDID reading and 5 V tolerance on the I²C and Hot Plug™ detect pins.

Fabricated in an advanced CMOS process, the ADV7528 is available in a space-saving, surface-mount, 49-ball WLCSP package. This package is RoHS compliant and specified to operate from -25°C to +85°C.

For more information on the [ADV7528](#), email Analog Devices, Inc., at ATV_VideoTx_Apps@analog.com.

Rev. SpA

Document Feedback

Information furnished by Analog Devices is believed to be accurate and reliable. However, no responsibility is assumed by Analog Devices for its use, nor for any infringements of patents or other rights of third parties that may result from its use. Specifications subject to change without notice. No license is granted by implication or otherwise under any patent or patent rights of Analog Devices. Trademarks and registered trademarks are the property of their respective owners.

NOTES

I²C refers to a communications protocol originally developed by Philips Semiconductors (now NXP Semiconductors).